



Clear View Products, Inc.
 13920 Alvarez Rd. #190
 Jacksonville, FL 32218
 (904) 741-4140
 (904) 741-414- Fax

Specification Sheet

Housing Lengths	Recommended Use/Max Height	Availability in colors	Lead Time
Standard 1 84"	From 30" to 84"	All standard colors	5 Days Max.
Standard 2 98"	From 84" to 98"	All standard colors	5 Days Max.
Oversize 110"	From 98" to 110"	All standard colors	From 1 to 4 weeks, special Order

*All Size Units can be ordered in Special Colors, Allow 4-6 week lead time for powder coating.

Recommended Screen Usage			
Housing Type/Height	Available Screen Types	Max. Recommended Pull	Recommended Application
From 30 to 84"	Standard Fiber Glass Gray/Black	62" Pull (With Very experienced Installer)	* Single, Double, or Sliding Doors.
	Super Screen	38" Pull (Do not exceed)	* Can be used to fabricate Window Units
	Solar Screen	38" Pull	* Experienced installer recommended for install of long screens
From 84" to 98"	Standard Fiber Glass Gray/Black	62" Pull (With Very experienced Installer)	* Single, Double, or Sliding Doors.
	Super Screen	38" Pull	* Single Door units not to exceed a 63" pull
	Solar Screen	38" Pull	* Experienced installer recommended for install of long screens
From 98" to 110" (Special Order)	Standard Fiber Glass Gray/Black	36" Pull Max (With Experienced Installer)	* Single Door up to 36" pull only
	Super Screen	N/A	* Long Screens are not available for Oversized doors.
	Solar Screen	N/A	* Experienced installer recommended for installation of Oversized doors

**Single Retractable Screen Systems are not recommended to cover door openings that exceed 48" (2 systems recommended for Double Door application)

Housing Dimensions	Pull Bar Dimensions	Type
L x W x H	L x W x H	
84" x 1-7/8" x 2"	83" x 1-3/4" x 7/8"	Standard 1
98" x 1-7/8" x 2"	97" x 1-3/4" x 7/8"	Standard 2
110" x 1-7/8" x 2"	109" x 1-3/4" x 7/8"	Oversize

**Add 1" to over-all Length with Housing/Pull Bar caps installed

**Combined Width of Housing, Pull Bar & Bumper = 4"

Standard Kit Contents	
Qty	Description
1	84-98" Screen Unit
1	Handle Kit (includes: Mounting Hardware & Magnet)

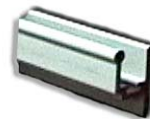
Top Molding (Decolum)
Available Length: 74" & 96"
Available colors: All Standard Colors

System Rails:
Available length: 80" & 96"
Available Colors: All Standard Colors + Gold & Silver

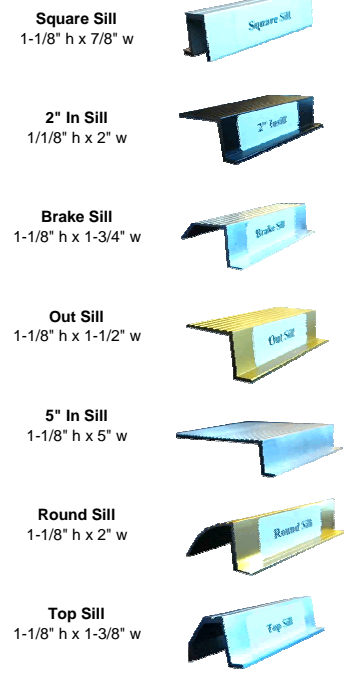
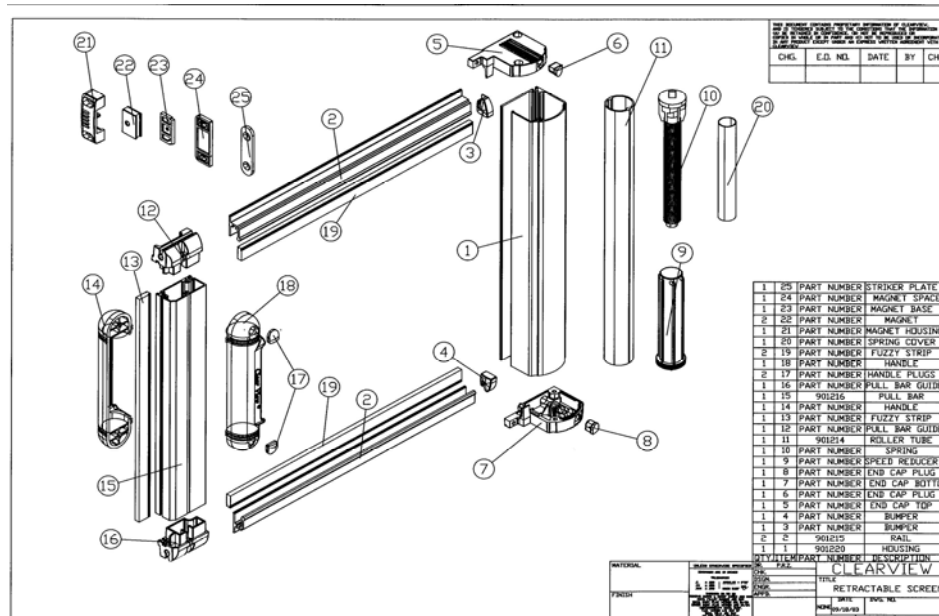
Sill adapters:
Available Length: 74" & 96"
Available Colors: Mill; Gold; Bronze; White; Black



Decolum
1-1/8" h x 7/8" w



Rail
1" h x 5/8" w



Square Sill
1-1/8" h x 7/8" w

2" In Sill
1/1-8" h x 2" w

Brake Sill
1-1/8" h x 1-3/4" w

Out Sill
1-1/8" h x 1-1/2" w

5" In Sill
1-1/8" h x 5" w

Round Sill
1-1/8" h x 2" w

Top Sill
1-1/8" h x 1-3/8" w

CHG.	ED.	REL.	DATE	BY	CHK.
1	25	PART NUMBER	STRIKER PLATE		
1	24	PART NUMBER	MAGNET SPACER		
1	23	PART NUMBER	MAGNET BASE		
2	22	PART NUMBER	MAGNET		
1	21	PART NUMBER	MAGNET HOUSING		
1	20	PART NUMBER	SPRING COVER		
2	19	PART NUMBER	FUZZY STRIP		
1	18	PART NUMBER	HANDLE		
1	17	PART NUMBER	HANDLE PLUGS		
1	16	PART NUMBER	PULL BAR GUIDE		
1	15	90216	PULL BAR		
1	14	90214	ROLLER TUBE		
1	10	PART NUMBER	SPRING		
1	9	PART NUMBER	SPEED REDUCER		
1	8	PART NUMBER	END CAP PLUG		
1	7	PART NUMBER	END CAP BOTTOM		
1	6	PART NUMBER	END CAP PLUG		
1	5	PART NUMBER	END CAP TOP		
4	4	PART NUMBER	BUMPER		
1	3	PART NUMBER	BUMPER		
2	2	90215	RAIL		
1	1	90200	HOUSING		