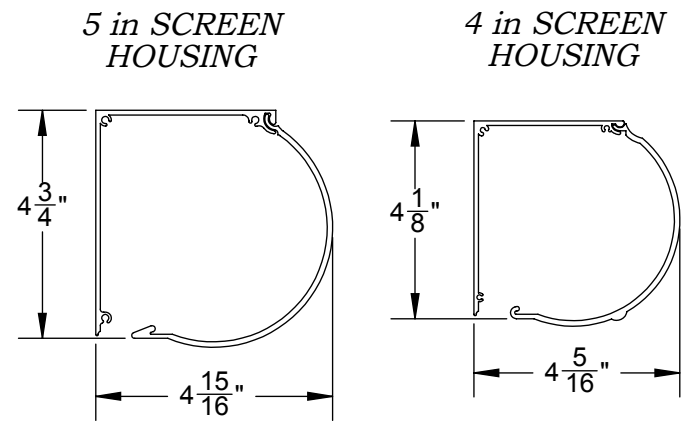
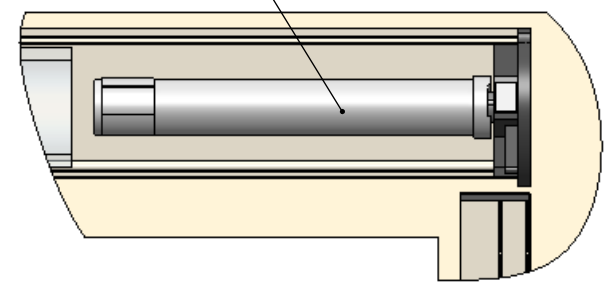


**DETAIL A**  
SCALE 1 : 4

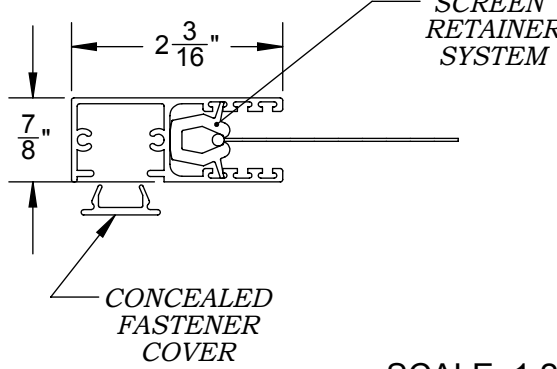


SCREEN ROLLER  
DRIVE MOTOR  
MOUNTS R or L



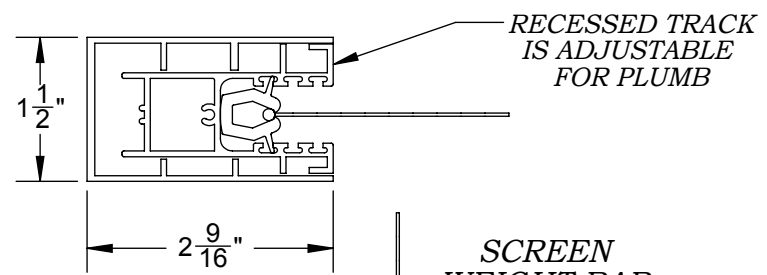
| MOTOR SPECIFICATIONS           |        |         |
|--------------------------------|--------|---------|
| SOMFY ALTUS RTS (3' - 12')     |        |         |
| 120 VAC                        | 60Hz   | 1.1 amp |
| 53 in lb                       | TORQUE | 38 rpm  |
| SOMFY ALTUS RTS (13' - 22' 6") |        |         |
| 120 VAC                        | 60 Hz  | 1.3 amp |
| 88 in lb                       | TORQUE | 38 rpm  |

**SURFACE MOUNTED  
SIDE GUIDE TRACK  
ASSEMBLY**

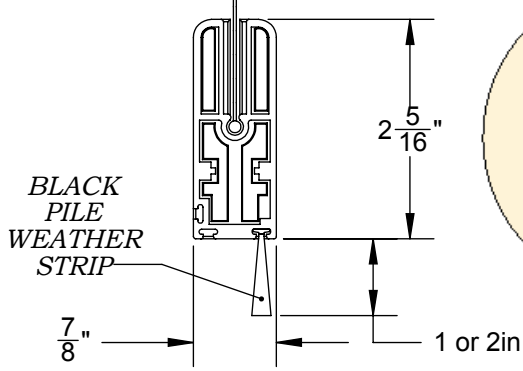


SCALE 1:2

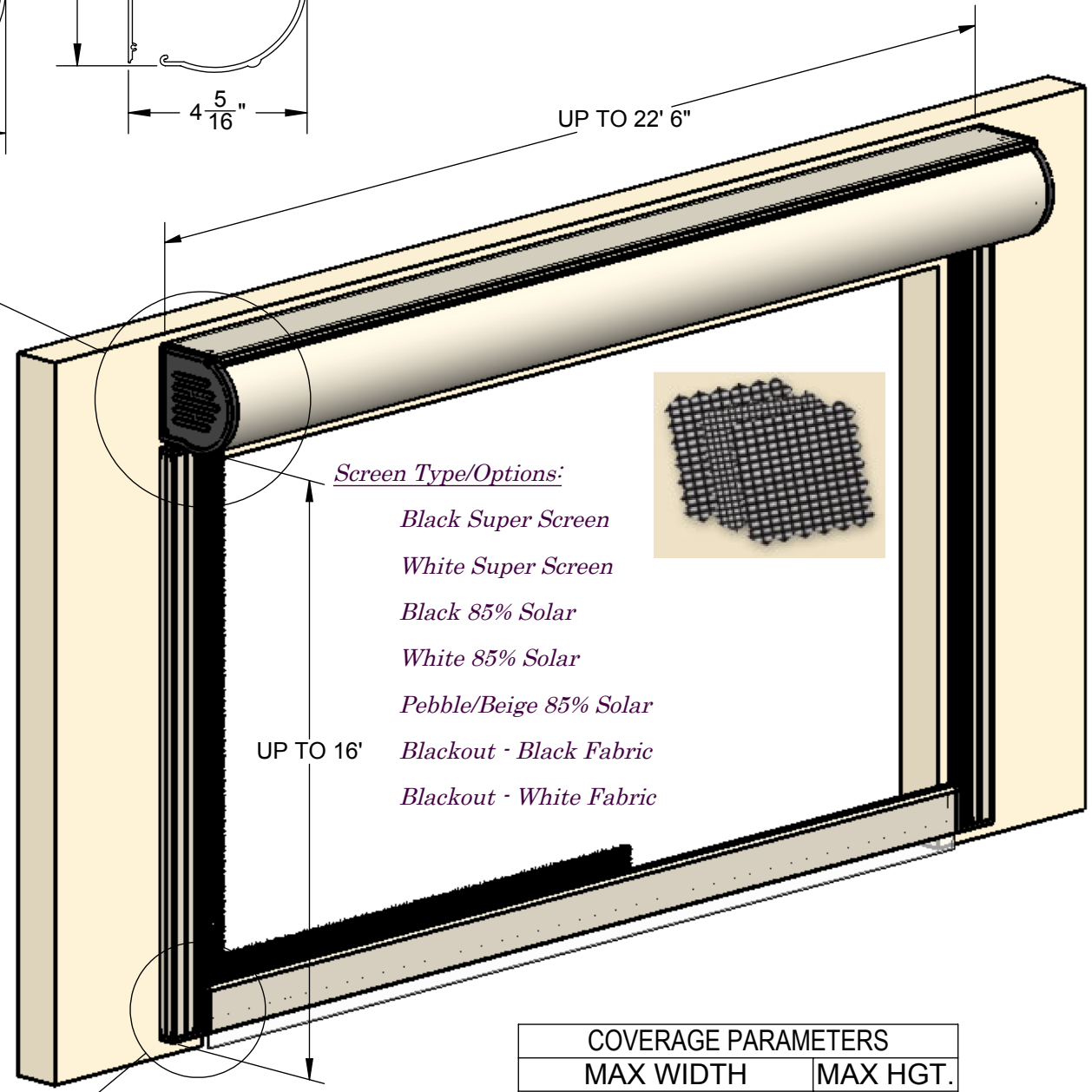
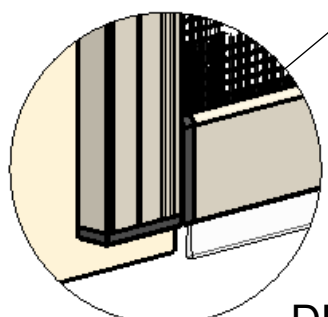
**RECESSED INSTALLATION  
OPTIONAL TRACK ASSY.**



SCREEN  
WEIGHT BAR

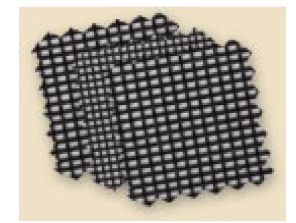


**DETAIL B**  
SCALE 1 : 4



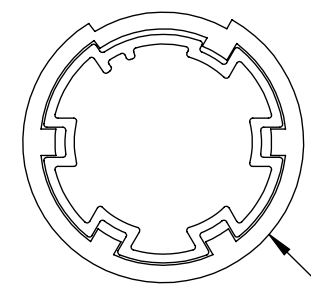
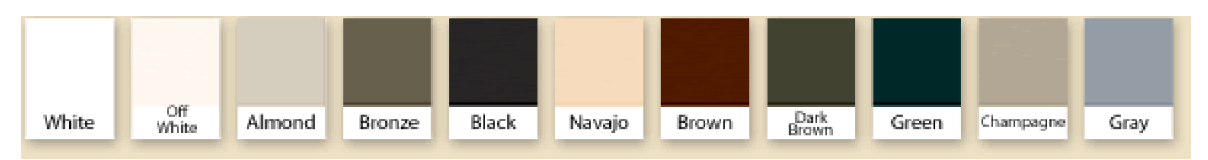
Screen Type/Options:

- Black Super Screen
- White Super Screen
- Black 85% Solar
- White 85% Solar
- Pebble/Beige 85% Solar
- Blackout - Black Fabric
- Blackout - White Fabric

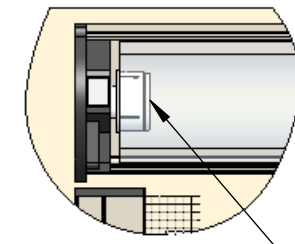


| COVERAGE PARAMETERS |          |
|---------------------|----------|
| MAX WIDTH           | MAX HGT. |
| 22' 6"              | 16'      |

*Color Options Available for Aluminum Housing & Frames*



SCREEN ROLLER  
ASSEMBLY



SCREEN ROLLER  
IDLER ASSEMBLY



TITLE  
**POWER SCREEN**

|              |              |      |              |
|--------------|--------------|------|--------------|
| SIZE         | DWG. NO.     | DATE | REV.         |
| <b>B</b>     | ARC SPEC-102 | 2/09 | NC           |
| DO NOT SCALE |              |      | SHEET 1 OF 1 |